



# Jandy Pro Series NeverLube® 2½" - 3" CPVC Valve Installation Instructions

## ⚠ WARNING

**FOR YOUR SAFETY** - This product must be installed and serviced by a contractor who is licensed and qualified in pool equipment by the jurisdiction in which the product will be installed where such state or local requirements exist. The maintainer must be a professional with sufficient experience in pool equipment installation and maintenance so that all of the instructions in this manual can be followed exactly. Before installing this product, read and follow all warning notices and instructions that accompany this product. Failure to follow warning notices and instructions may result in property damage, personal injury, or death. Improper installation and/or operation will void the warranty.

### PLUMBING

The Jandy Pro Series Valve is designed for both 2½" and 3" pipe. The 2½" pipe slip fits into valve ports. Refer to Figure 1. The 3" pipe is joined using a 3" pipe coupler, a 45 degree elbow, or a 90 degree elbow. The internal valve assembly must be removed prior to gluing the valve body to pipe fittings. Make certain no glue enters the valve body beyond the ports. **WELD-ON 724 CPVC GRAY IS RECOMMENDED.**

The Jandy Pro Series model 2 1/2"-3" Valve(s) are intended to be used as DIVERTER valves and should not be utilized as backwash valves. Be sure to follow all applicable local and national codes when installing and operating these Jandy Pro Series Valves.

### VALVE HANDLE OPERATION

#### Lock Knob

Loosen the lock knob to turn handle. To secure the handle, turn the knob down finger tight. See Figure 1.

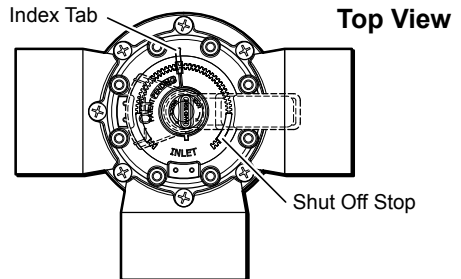
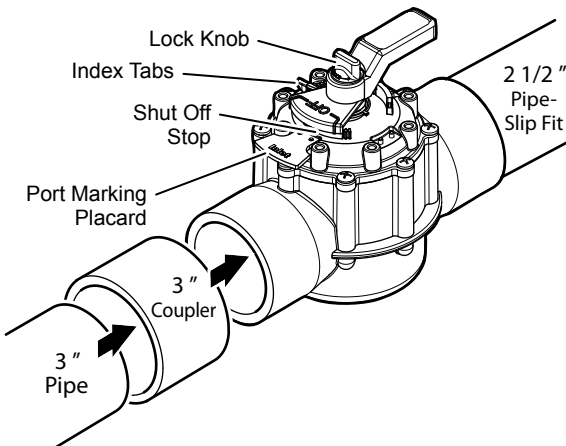
#### Off Indicator

OFF on the indicator represents the exact position of the internal valve diverter seal.

#### Index Tabs

The handle will be stopped by the molded stops or by the movable index tabs. Place the index tabs along the index rib at the desired stop location or on the storage ribs if full handle movement range is desired.

**CAUTION**  
Be sure "INLET" on the valve cover is over the incoming flow port to prevent personal injury or property damage.



H0577600 Rev C

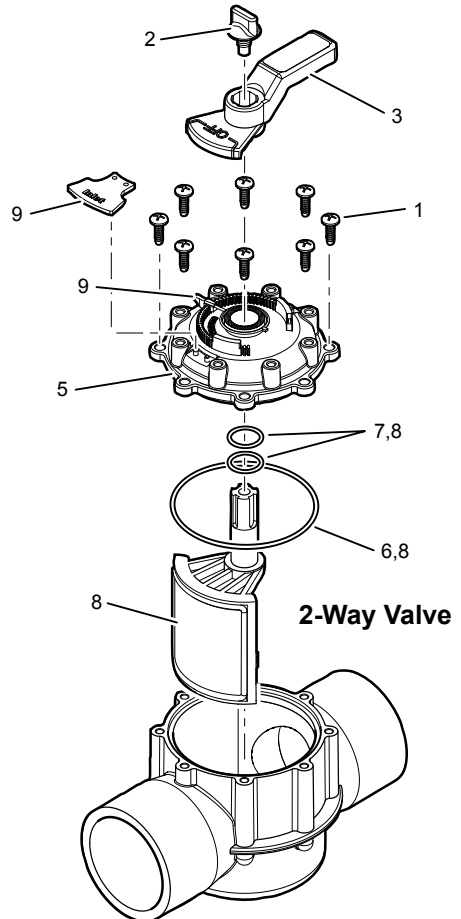
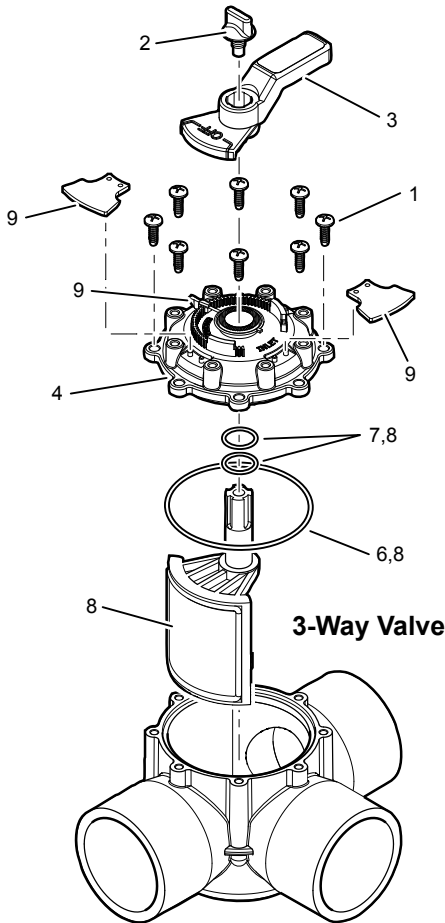
Figure 1. Jandy Valve Plumbing



## Port Marking Placards

Place the appropriate placard in the mounting holes of the valve lid above the corresponding port. For example, "INLET" placard is mounted on the port from the pump. See Figure 1. There are eight (8) placards in two (2) languages provided with the valve.

Item No.	Part No.	Description	Qty
1	1298	Screw, #14 by 3/4"	8
2	R0486900	Knob, Valve Handle	1
3	R0487200	Handle, NeverLube® Valve	1
4	R0466100	Lid, 3 Port, 2.5 x 3" NeverLube	1
5	R0468600	Lid, 2 Port, 2.5 x 3", NeverLube	1
6	R0465700	O-Ring #2-154, Cover	1
7	R0487100	O-Ring #2-116, Shaft	2
8	R0465800	NeverLube Diverter 2.5 by 3"	1
9	R0465900	Placard (Set of 8) & Index Tab	1



Zodiac Pool Systems, Inc.  
 2620 Commerce Way, Vista, CA 92081  
 1.800.822.7933 | [www.ZodiacPoolSystems.com](http://www.ZodiacPoolSystems.com)

ZODIAC® is a registered trademark of Zodiac International, S.A.S.U., used under license.  
 All trademarks referenced herein are the property of their respective owners.

©2012 Zodiac Pool Systems, Inc. H0577600 Rev C 1205

