

# Watermatic®

## Flow Switch Installation Instructions for C300, C310, C560, and C600 Controllers

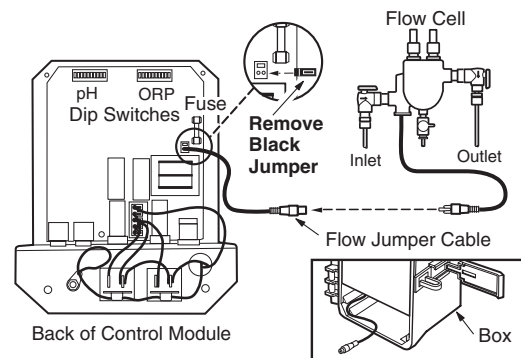
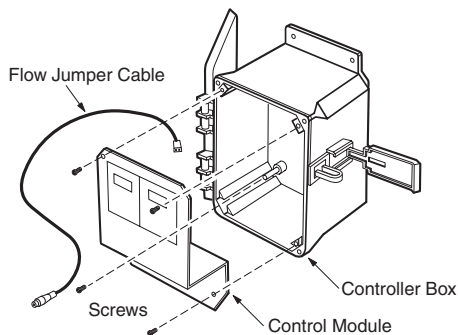
### ⚠ WARNING

**FOR YOUR SAFETY** - This product must be installed and serviced by a contractor who is licensed and qualified in pool equipment by the jurisdiction in which the product will be installed where such state or local requirements exist. In the event no such state or local requirement exists, the maintainer must be a professional with sufficient experience in pool equipment installation and maintenance so that all of the instructions in this manual can be followed exactly. Before installing this product, read and follow all warning notices and instructions that accompany this product. Failure to follow warning notices and instructions may result in property damage, personal injury, or death. Improper installation and/or operation will void the warranty.

### ⚠ WARNING

**RISK OF ELECTRIC SHOCK WHICH CAN RESULT IN SERIOUS INJURY OR DEATH.** Before attempting installation or service, ensure that all power to the device is disconnected/turned off at the circuit breaker.

1. Remove the screws (three on the 300 Series and four on the 500/600 Series) that hold the control module in the box.
2. Locate the flow jumper cable.
3. Remove the black jumper from the back of the control module and plug in the flow jumper cable.
4. Feed the flow jumper cable out of the lower opening on the front of the box as shown.
5. Re-install the control module with screws.
6. Plug the flow jumper cable into the flow cell.



Zodiac Pool Systems, Inc.  
2620 Commerce Way, Vista, CA 92081  
1.800.822.7933 | www.ZodiacPoolSystems.com

©2015 Zodiac Pool Systems, Inc. ZODIAC® is a registered trademark of Zodiac International, S.A.S.U., used under license. All other trademarks referenced herein are the property of their respective owners.

TL-445 Rev B

