

ePump  
Variable-Speed Pump



Jandy®

**MORE PERFORMANCE.  
HIGH EFFICIENCY.  
UP TO 70% QUIETER<sup>1</sup>**



**EPUMP™**  
VARIABLE-SPEED PUMP

# Save over \$1,100 per year on energy costs with the ePump™ Variable-Speed Pump<sup>2</sup>

The ePump's high-efficiency, fully programmable variable-speed motor allows pool owners to cut back on energy usage and save substantially.

## » Ultra-Efficient Operation

Features an energy-saving totally enclosed fan-cooled (TEFC) permanent magnet brushless DC variable-speed motor for cooler, quieter operation and extended life.

## » Stealth™ Pump Technology

Features powerful, efficient operation with a whisper-quiet motor and the largest smooth surface trap basket on the market for reduced maintenance. Packed with more user-friendly features including ergonomic handles and easy-to-read indicators.

## » Multiple Control System Options Available

Completely programmable and customizable with the Jandy® AquaLink® line of automation systems, iQPUMP01, or the JEP-R controller.



## » VGB-Compliant SVRS Model Available

Utilizes an ANSI®/ASME® A112.19.17 certified Safety Vacuum Release System to aid in the prevention of full body entrapment hazards in compliance with the VGB Pool & Safety Act (P&SS Act).

## » Complies with Appliance Efficiency Standards (CEC Title 20 & ANSI®/APSP-15) and Qualifies for Utility Rebates<sup>3</sup>

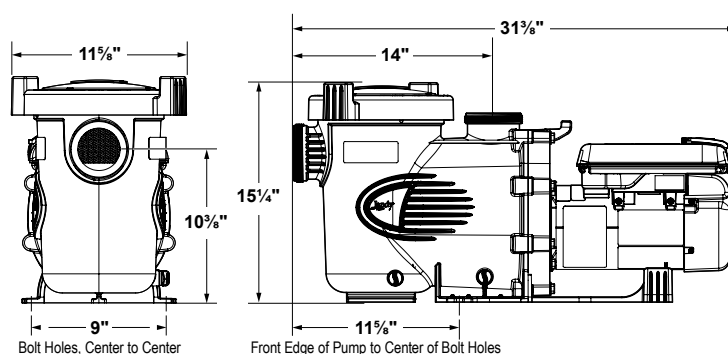
<sup>1</sup> Up to 70% quieter than single-speed pumps. Results based on testing conducted by Zodiac Pool Systems LLC to ANSI S12.51-2012/ISO 3471:2010 standards.

<sup>2</sup> Based on a 28,000 gallon pool with 2 turnovers per day at an average power cost of \$0.195/kWh vs. comparable single-speed pumps; when tested in accordance with the applicable requirements of 10 CFR 429.

<sup>3</sup> Where offered

<sup>4</sup> Auxiliary Relay rated up to 230V/11AMPS

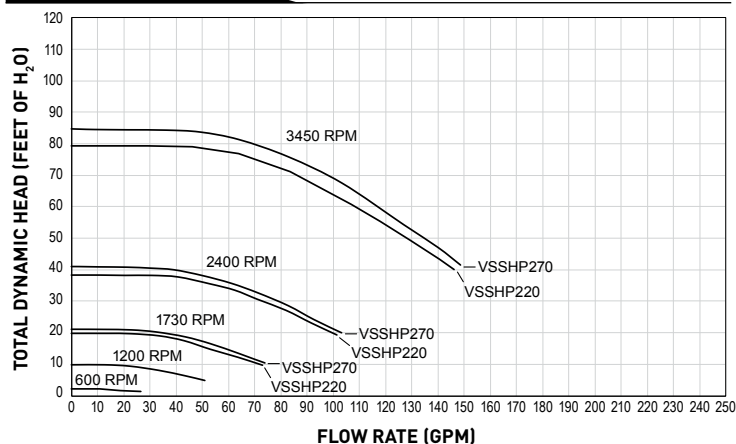
## DIMENSIONS



## SPECIFICATIONS

Model No.	THP	WEF	Voltage	Watts	Recommended Pipe Size	Carton Weight	Overall Length
VSSHP220AUT	2.21	7.5	208-230VAC	2,100 W	2½-3"	71.5 lbs	31 1/8"
VSSHP270AUT	2.70	7.0	208-230VAC	2,300 W	2½-3"	71.5 lbs	31 1/8"
JEP2.0SVRS	2.70	7.2	208-230VAC	2,300 W	2½-3"	71.5 lbs	31 1/8"

## PERFORMANCE



## » Auxiliary relay for managing additional equipment<sup>4</sup>

This pump features an auxiliary relay which, when combined with iQPUMP01, enables instant automation for the pump — plus one additional piece of equipment — using the iAquaLink app. This feature eliminates the need for an additional time clock to control equipment such as a booster pump or salt chlorinator.



Jandy.com | 1.800.822.7933