

Blower

**These instructions are to be used with the
following Jandy Pro Series spare parts kits:**

R0591100 Blower Assembly

WARNING

FOR YOUR SAFETY: This product must be installed and serviced by a contractor who is licensed and qualified in pool equipment by the jurisdiction in which the product will be installed where such state or local requirements exist. In the event no such state or local requirement exists, the installer or maintainer must be a professional with sufficient experience in pool equipment installation and maintenance so that all of the instructions in this manual can be followed exactly. Before installing this product, read and follow all warning notices and instructions that accompany this product. Failure to follow warning notices and instructions may result in property damage, personal injury, or death. Improper installation and/or operation can create carbon monoxide gas and flue gases which can cause serious injury, property damage, or death. For indoor installations, as an additional measure of safety, Zodiac Pool Systems, Inc. strongly recommends installation of suitable carbon monoxide detectors in the vicinity of this appliance and in any adjacent occupied spaces. Improper installation and/or operation will void the warranty.

Do not store or use gasoline or other flammable vapors and liquids in the vicinity of this or any other appliance.

WHAT TO DO IF YOU SMELL GAS

- Immediately switch off main gas supply.
- Do not try to light any appliance.
- Do not touch any electrical switch; do not use any phone in your building.
- Immediately call your gas supplier from a neighbor's phone. Follow the gas supplier's instructions.
- If you cannot reach your gas supplier, call the fire department.

Installation and service must be performed by a qualified installer, service agency or the gas supplier.

Before starting the installation, check Table 1 to identify each of the parts required for this installation. If any parts are missing from the kit, please call your local distributor for assistance.

WARNING/SHOCK HAZARD

Turn off all switches and the main breaker in the pool/spa heater electrical circuit before starting the replacement procedure. Failure to comply may cause a shock or hazard resulting in severe personal injury or death.

While disconnecting and/or connecting any electrical wiring in the appliance, be careful not to damage or abrade any of the wiring.

Disassembly:

1. Verify you have all necessary parts (see Table 1 below).

KIT PART NO.	COMPONENT DESCRIPTION	QUANTITY
R0591100	Blower	1
	Gasket	1
	Lock Washer, 1/4"	4
	Nut, Hex Head	4

Table 1. Replacement Kit parts

2. Turn off the electrical power to the heater.
3. Turn off the main gas supply to the heater.
4. Make sure the filter pump is off and will remain off for the duration of the installation procedure.
5. If the heater is below the surface level of the water in the pool or spa, close all shut-off valves between the heater and the pool.
6. Remove the heater top panel and the front panel and lift the raceway for easier access.
7. Unscrew four (4) hex head bolts and remove the rear brace bar for easier access to the blower (Figure 1).

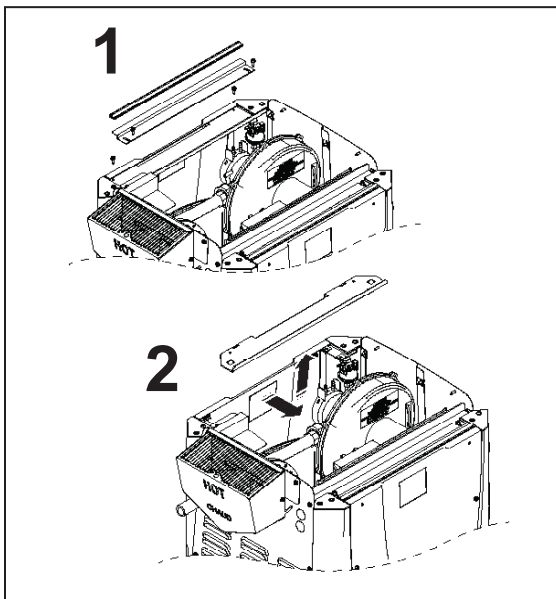
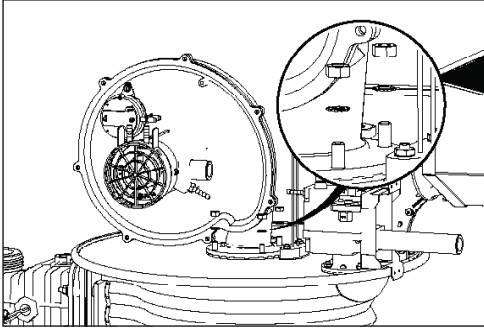


Figure 1. Remove Rear Brace Bar

8. Disconnect the air pressure switch wiring (yellow/black) and the gas valve wiring (brown) by unclipping the terminals from the PC board.
9. Using a standard pipe wrench, disconnect the gas train at the union.
10. Using a 7/16" wrench, remove four (4) nuts with flat washers and star washers to disconnect the blower.



11. Remove two (2) screws to disconnect the air pressure switch from the blower (Figure 2).

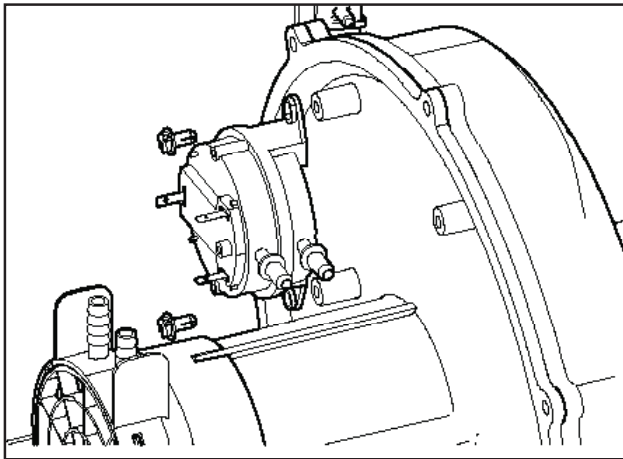


Figure 2. Remove Air Pressure Switch

Assembly:

1. Connect the air pressure switch to the new blower assembly (or install new air pressure switch, if necessary).
2. Seat the blower on the combustion chamber lid and replace four (4) nuts, flat washers, and star washers. Tighten to 50 in-lbs.
3. Reconnect the gas pipe to the blower by tightening the union.
4. Replace four (4) bolts to secure the rear brace bar.
5. Replace the front panel.
6. Replace the top panel.
7. Reconnect the water supply to the header.
8. Reopen the shut-off valves, if applicable.
9. Reconnect the gas supply and electrical supply.

Zodiac Pool Systems, Inc.

2620 Commerce Way, Vista, CA 92081
1.800.822.7933 | www.ZodiacPoolSystems.com

Zodiac Pool Systems Canada, Inc.

2115 South Service Road West, Unit 3
Oakville, ON L6L 5W2
1.888.647.4004 | www.ZodiacPoolSystems.ca

ZODIAC® is a registered trademark of Zodiac International, S.A.S.U., used under license. All other trademarks referenced herein are the property of their respective owners.

©2014 Zodiac Pool Systems, Inc. H0439800 REV B