

Jandy® AquaPure® Ei™ Series Replacement Kits

for Models APURE35PLG/35PLGC

WARNING

FOR YOUR SAFETY - For anything other than the routine cleaning and maintenance described in this manual, this product must be serviced by a contractor who is licensed and qualified in pool equipment by the jurisdiction in which the product will be installed where such state or local requirements exists. In the event no such state or local requirement exists, the installer or maintainer must be a professional with sufficient experience in pool equipment installation and maintenance so that all of the instructions in this manual can be followed exactly. Before installing this product, read and follow all warning notices and instructions that accompany this product. Failure to follow warning notices and instructions may result in property damage, personal injury, or death. Improper installation and/or operation will void the warranty.

Improper installation and/or operation can create unwanted electrical hazard which can cause serious injury, property damage, or death.

These instructions are to be used with the following Jandy Replacement Parts:

R0511800 -- R-Kit, Pod Plugs

R0511900 -- R-Kit, Pod, Flow Switch

R0512000 -- R-Kit, Pod Housing

1. Introduction

This document gives instructions for replacing various components on the Jandy AquaPure Ei chlorine generating device.

The instructions were written with safety as the priority and must be followed exactly. Not following the written procedure or taking shortcuts may increase the risk of personal injury. Read through the instructions completely before starting the procedure.

Before starting the procedure, use the parts list at the back of these instructions to identify the parts that are in your kit. If any parts are missing from the kit please call your local Jandy distributor for assistance. For technical assistance, please contact our Technical Support Department at 1.800.822.7933.

2. Ordering Information

To order or purchase parts for the Jandy AquaPure Ei chlorine generating device, contact your nearest Jandy dealer or distributor. If they cannot supply you with what you need, call Zodiac Pool Systems, Inc. at 1.800.822.7933. In Canada call Zodiac Pool Systems Canada, Inc. Customer Support Department at 1.888.647.4004.

3. Replacing Pod R-Kits

⚠ WARNING

Disconnect power to the system by unplugging the power pack before performing this procedure to avoid risk of electric shock which can result in property damage, severe injury or death.

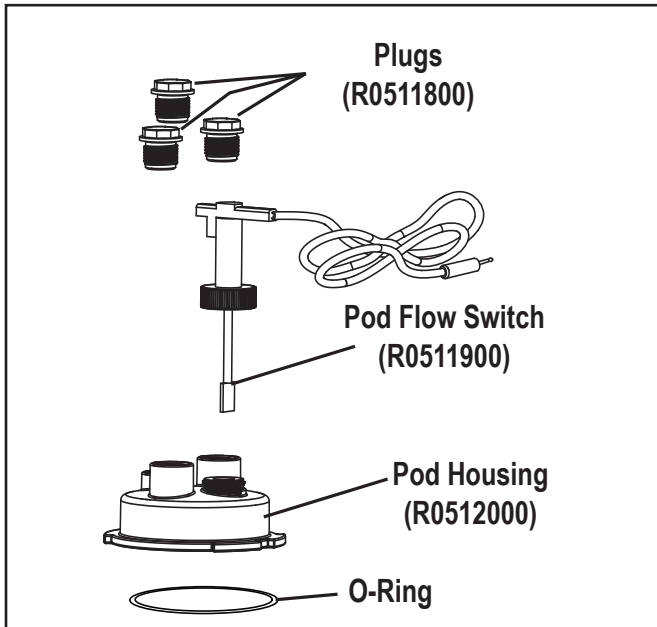


Figure 1. Exploded Pod Diagram

A. Replacing the Pod Plugs

1. Ensure that all power to the power pack and the controller is disconnected by unplugging the power pack from the power source.
2. Shut off any necessary valves to prevent any water loss.
3. Unscrew each of the three (3) plugs from the pod and replace.
4. Reconnect the power.

B. Replacing the Pod Flow Switch

1. Ensure that all power to the power pack and the controller is disconnected by unplugging the power pack from the power source.
2. Shut off any necessary valves to prevent any water loss.
3. Unplug the flow switch cable from the power pack.

4. Unscrew the flow switch from the pod and remove (see Figure 2).

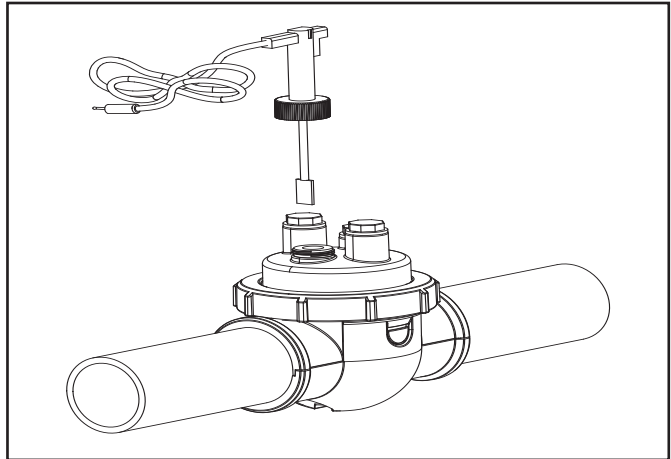


Figure 2. Replacing the Flow Switch

5. Install the new flow switch making sure the arrow on the flow switch points in the direction of the water flow. Make sure the switch is in line with the pipe (see Figure 3).

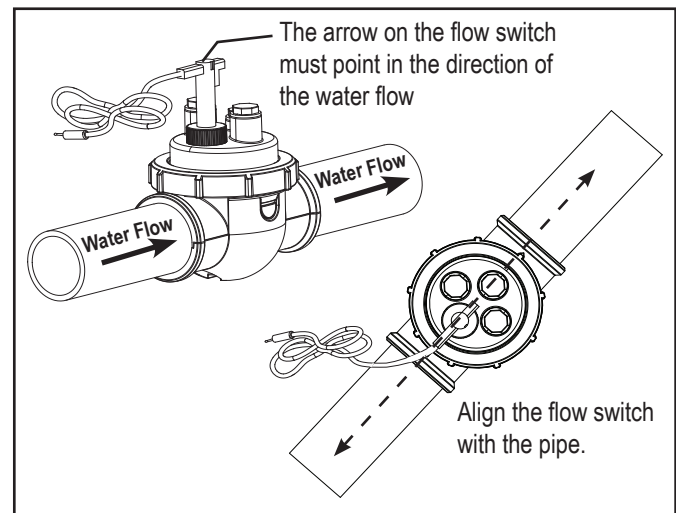


Figure 3. Replacing the Flow Switch

6. Plug the flow switch cable into the power pack.
7. Reconnect the power.

C. Replacing the Pod Flow Switch and Pod Housing

1. Ensure that all power to the power pack and the controller is disconnected by unplugging the power pack from the power source.
2. Shut off any necessary valves to prevent any water loss.
3. Unplug the flow switch cable from the power pack.
4. Unscrew the flow switch from the pod and remove (see Figure 2).
5. Remove the locking ring. If necessary, use the locking ring tool (R0512600).
6. Remove and replace the pod housing.
7. Position the locking ring in proper alignment, making sure the bump aligns with the top thread (see Figure 4).

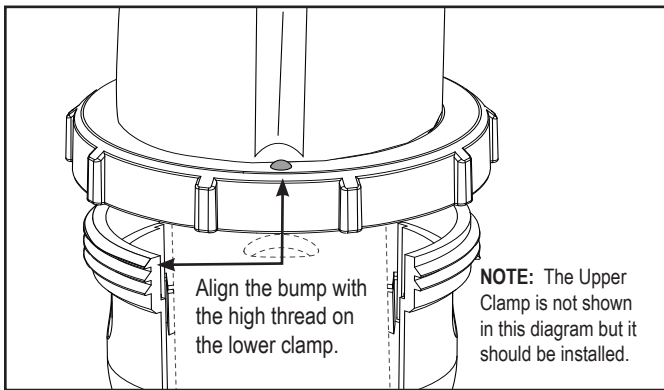


Figure 4. Locking Ring Alignment

8. Screw down the locking ring to the threaded clamp using the locking ring tool (see Figure 5).

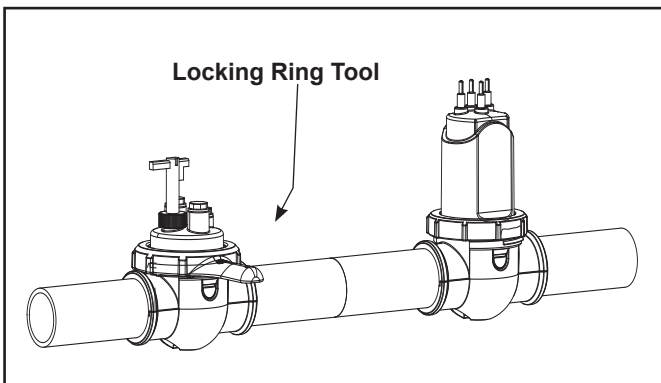


Figure 5. Locking Ring Tool

NOTE Ensure the locking ring is level when engaging the threading clamp (see Figure 6).

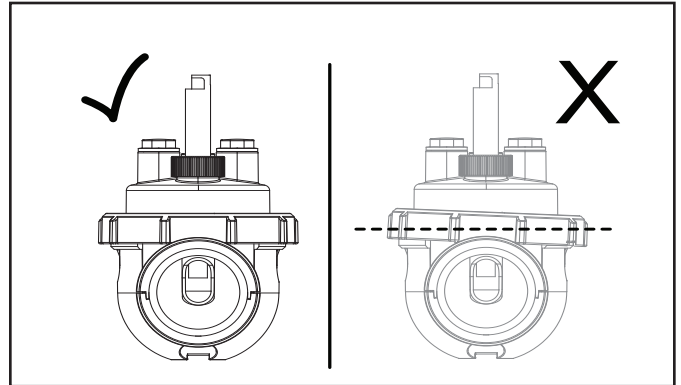


Figure 6. Locking Ring Level

9. Plug the flow switch cable into the power pack.
10. Reconnect the power.

4. Parts List

The following table is for your reference. To order additional parts, please contact your local Jandy Distributor.

	R0511800	R0511900	R0512000
Description			
O-Ring	--	--	1
Pod Flow Switch	--	1	--
Pod Housing	--	--	1
Pod Plugs	1	--	--

H0342600 Rev-



ZODIAC POOL SYSTEMS, INC.
2620 Commerce Way • Vista, CA • 92081
Tel: 800-822-7933 • Fax: 877-327-1403



ETL Listed
Conforms To
UL STD 1081
Certified to
CAN/CSA C22.2 NO. 218.1

For warranty support in Canada:
Zodiac Pool Systems Canada, Inc.
2115 South Service Road West, Unit 3
Oakville, Ontario • Canada L6L 5W2
Tel: 888-647-4004 • Fax: 905-825-5780