

# Jandy® JS Sand Filter Lid and Lid Seal Replacement Kit

## ⚠ WARNING

**FOR YOUR SAFETY:** This product must be installed and serviced by a professional service technician, qualified in pool/spa pump and filter installation and maintenance. Improper installation and/or operation can create dangerous high pressure which can cause product failure or also cause the filter lid to be blown off, possibly causing death, serious injury or property damage. Improper installation and/or operation will void the warranty.

These instructions are to be used with the following Jandy Replacement Kit:

**R0487300 -- Sand Filter Lid Replacement Kit**

**R0487400 -- Sand Filter Lid Seal Replacement Kit**

## ⚠ WARNING

**Before installing this product, read and follow all warning notices and instructions that accompany this filter replacement kit. Failure to follow warning notices and instructions may result in property damage, personal injury, or loss of life.**

This document gives instructions for replacing the Sand Filter Lid and the Sand Filter Lid Seal on all Jandy JS Side Mount Model Sand Filters.

The instructions were written with safety as the priority and must be followed exactly. Not following the written procedure or taking shortcuts may increase the risk of personal injury. Read through the instructions completely before starting the procedure.

Before starting the procedure, use the parts list at the back of these instructions to identify the parts that are in your kit. If any parts are missing from the kit please call your local Jandy distributor for assistance. For technical assistance, please contact our Technical Support Department at 1.800.822.7933.

### A. Remove the Lid

#### ⚠ WARNING SHOCK HAZARD!

Turn off all switches and the main breaker in the pool/spa heater electrical circuit before starting the replacement procedure. Failure to comply may cause a shock hazard resulting in severe personal injury or death.



**⚠ WARNING**  
Never attempt to adjust or remove the lid when the pump is running or there is pressure in the system. This can cause product failure or also cause the filter lid to be blown off which can result in death, serious personal injury, or property damage.

remove the lid while the pump is running or if the filter pressure gauge indicates there is pressure in the filter.

2. First, try to remove the lid by hand using the handles.
3. If removal by hand is not successful, use a mallet or soft-faced hammer to alternately strike the handles to loosen the lid.

### B. Lid Installation



#### ⚠ WARNING

Follow these instructions carefully. Improper lid installation can cause product failure or also cause the filter lid to be blown off, which can result in death, serious injury, or property damage.

#### ⚠ WARNING

Inspect the lid and tank for any damage before installing the lid. A damaged lid or tank could cause the lid to be blown off which can result in death, serious personal injury, or property damage.

1. If the lid is being replaced, unscrew the pressure gauge/air release assembly from the old lid and install in the new lid.
2. Ensure that the lid seal is fully seated within the groove in the flange of the lid.
3. Before installing the lid, ensure that the air vent screen at the top of the air vent tubing is properly located above the diffuser such that it will be close to the underside of the lid when the lid is installed. See Figure 1.

1. Before attempting to loosen or remove the lid, turn OFF the pump and OPEN the air release valve on top of the filter. DO NOT attempt to loosen or

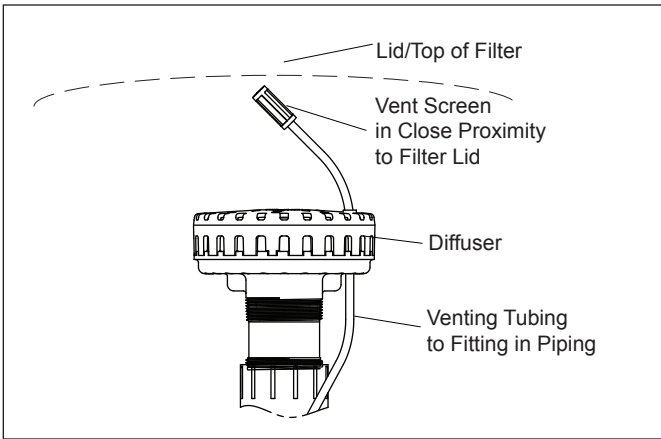


Figure 1. Automatic Vent Positioning

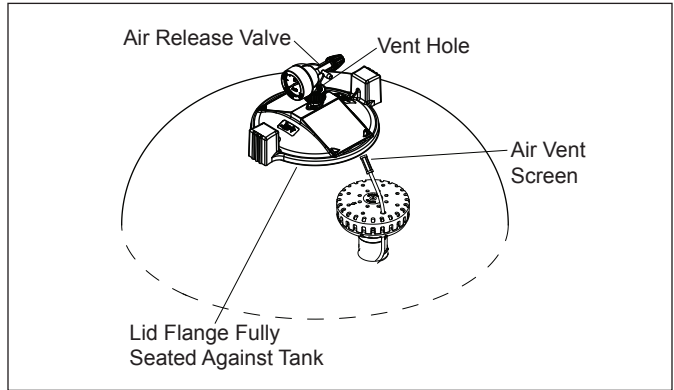



Figure 2. Filter Lid Installation


**⚠ WARNING**



The automatic vent screen and tubing must be positioned properly to avoid trapping air inside the filter. Trapped air can cause product failure or also cause the filter lid to be blown off, which can result in death, serious personal injury, or property damage.

**C. Start-Up and Operation**

**⚠ WARNING**



Never attempt to adjust or remove the lid when the pump is running or there is pressure in the system. This can cause product failure or also cause the filter lid to be blown off which can result in death, serious personal injury, or property damage.

4. Inspect the threads to make certain that they are free of sand particles and wipe the threads on the tank and lid clean of any sand or debris. Apply a light coating of liquid dish washing detergent or bar hand soap with some water to the lid sealing surface on the top of the tank before installing the lid. Do not use any type of oil or grease that can cause sand to get caught in the threads. Thread the lid into the tank, making certain that the lid threads in smoothly. If resistance is felt while turning, remove the lid and ensure that it is not being cross-threaded into the tank and the threads are free of sand. Use the handles to tighten the lid hand-tight only. Do not use impact or hammers when installing the lid.

Once service on the circulating system is completed, the system must be properly vented of all air. Follow the instructions in the Start-Up and Operation section of the "JS Sand Filter Installation and Operation Manual".

**D. Replacement Kit Lists**

1. The table below is for your reference. To order additional parts, please contact your local Jandy distributor.

Parts List for Replacement Kits		
Description	R0487300	R0487400
Sand Filter Lid	1	--
Sand Filter Lid Seal	1	1

**⚠ WARNING**

Fiberglass and threads have sharp edges. To avoid cuts, use a brush to clean threads free of sand or dirt.

5. When the lid is fully installed, the seal flange must contact the surface of the tank.