

Installation Instructions for the Hi-E2 Inlet/Outlet Header Replacement Kit

FOR YOUR SAFETY: This product must be installed and serviced by a professional service technician, qualified in pool/spa heater installation and maintenance. Improper installation and/or operation could create carbon monoxide gas in flue gases which could cause serious injury, property damage, or death. Improper installation and/or operation will void the warranty.

These instructions are to be used with the following Jandy Replacement Kits:

R0303900 - Hi-E2 Inlet/Outlet Header Replacement Kit, Model EHE 220 & 350

⚠WARNING

If the information in these instructions is not followed exactly, a fire or explosion may result causing property damage, personal injury or death.

This document gives instructions for replacing the inlet/outlet header in all Hi-E2 Model EHE pool/spa heaters. The instructions must be followed exactly. Read the instructions completely before starting the procedure.

A. Remove the Inlet/Outlet Header

1. Remove the front panel of the heater.
2. Shut the heater down by following the instructions under the heading of "To Turn Off Gas To Appliance" on the label on the inside of the front panel.

3. Remove the two right side cover panels (inlet/outlet header side) (see Fig. 1).
4. Remove the drain plug and let the system drain (see Fig. 1).
5. Disconnect the water supply from the inlet/outlet header.
6. Remove the wires from the two hi-limit switches.
7. Remove the the two hi-limit switches from the inlet/outlet header. These switches are identified by part number and temperature rating (see Fig 2.).
8. Remove the screw holding the temperature sensor bracket and remove the temperature sensor (see Fig 3.).

⚠CAUTION

If the heater is below the surface level of the water in the pool, be sure to close the complete shut-off valves leading to and coming from the pool.

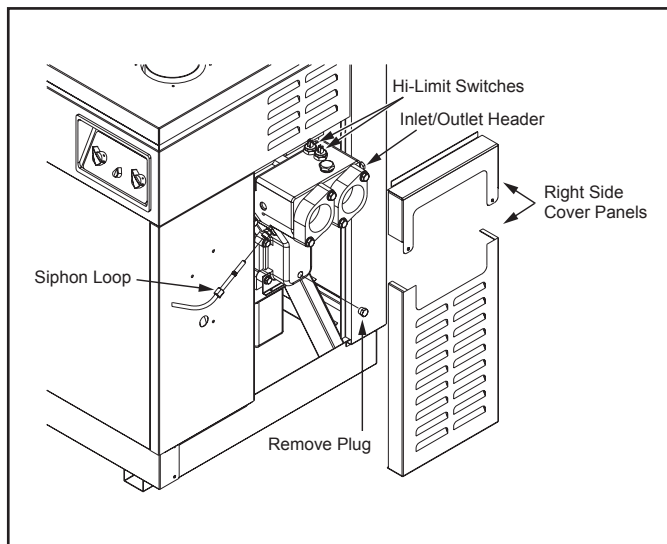


Figure 1. Drain System

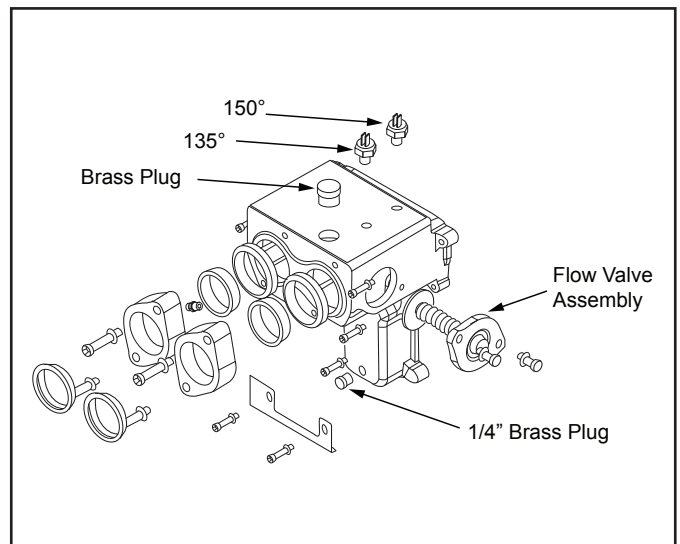


Figure 2. Inlet/Outlet Header

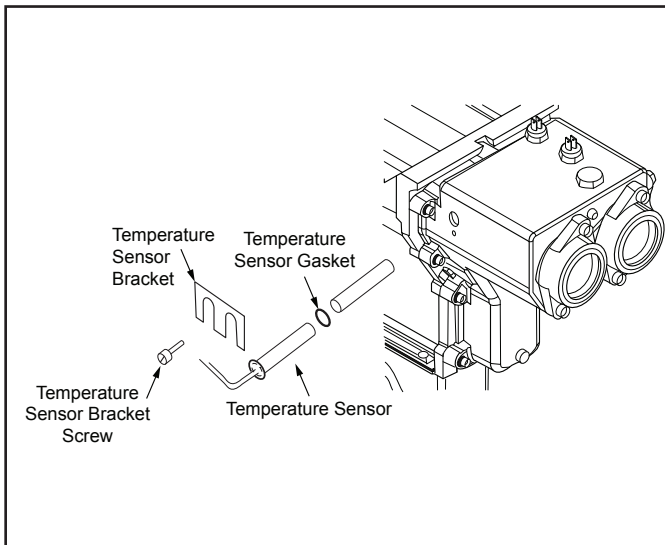


Figure 3. Temperature Sensor

9. Using a 7/16" wrench, loosen the compression nut located where the siphon loop enters the inlet/outlet header. Carefully pull the tubing out of the header (approximately 2-1/2") (see Fig. 1)
10. Remove the two bolts that hold the flow valve assembly to the inlet/outlet header. Pull assembly straight out of the header (see Fig. 2).
11. Remove the eight 1/4-20 x 1-1/4" bolts that hold the inlet/outlet header in place (see Fig. 4).
12. Remove the bolt that attaches the heat exchanger support bracket to the heater support frame and remove the bracket (see Fig 2).
13. Carefully remove the inlet/outlet header and the gasket from the header plate.
14. Clean the surface of the header plate. This surface must be clean and free of gasket material to achieve the proper seal.

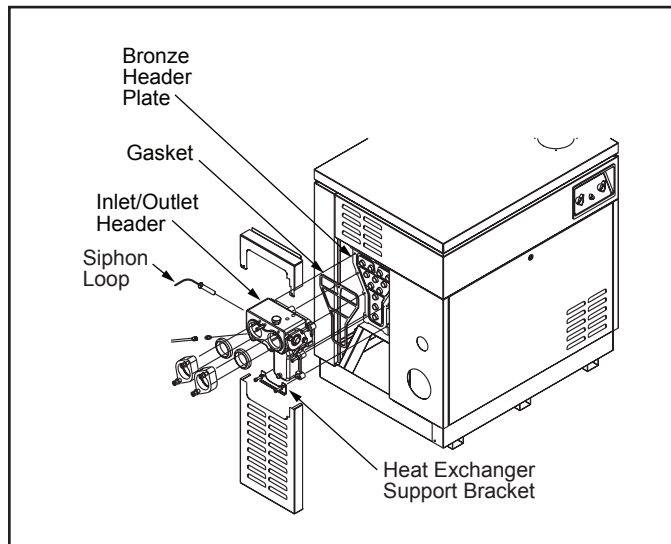


Figure 4. Remove Inlet/Outlet Header

B. Replace the Inlet/Outlet Header

1. Make sure the header plate is dry and carefully place the new inlet/outlet header gasket onto the header plate.
2. Place the inlet/outlet header over the gasket. Line up the holes and insert the top six 1/4-20 x 1-1/4" bolts with washers. Before inserting the bottom two bolts, place the heat exchanger support bracket over the holes, then insert the two remaining bolts and washers. Tighten the bolts to finger tighten.
3. Using a wrench, tighten the bolts by starting on one side and alternating from side to side and top to bottom.
4. Install the bolt through the heat exchanger support bracket, into the frame of the heater, and tighten.
5. Install the new temperature sensor gasket and retaining bracket into the inlet/outlet header. Tighten the assembly with the new screw provided in the kit.
6. Insert the siphon loop into the inlet/outlet header, approximately 2-1/2", and tighten finger tight.
7. Using a 7/16" wrench, tighten the compression nut 1/2-turn past finger tight.

8. Replace the new flow valve assembly into the inlet/outlet header using the new gasket, bolts, and washers.
9. Install the new hi-limit switches into the inlet/outlet header. These two components are identified by markings on the switch. It is important to install them in their correct place. Refer to Figure 2 for correct placement.
10. Make sure the new 1/4" NPT drain plug is in place and tight. Also, install the new 3/4" NPT plug (with or without a pressure relief valve) into the top of the inlet/outlet header.
11. Using the new inlet/outlet header flange gaskets, reconnect the water supply to the inlet/outlet header.

⚠ CAUTION

Open any complete shut-off valves that were closed to perform this operation.

12. Start the pump to fill the system and check for leaks.
13. Replace the right side cover panels.
14. Read the warnings under the heading of "For Your Safety Read Before Operating" on the label on the inside of the front panel.
15. Ignite the heater by following the instructions under the heading of "Operating Instructions" on the label on the inside of the front panel.
16. Replace the front panel. The front panel must be in place for the heater to operate properly and safely.

Parts List

Description	Quantity
Inlet/Outlet Header	1
Bolt, 1/4-20 x 1-1/4"	8
Washers	8
Plug, 1/4" NPT	1
Plug, 3/4" NPT	1
Connector Body	1
Gasket, Header	1
Gasket, 2", I/O Flange	2
Gasket, Temperature Sensor	1
Temperature Sensor Bracket	1
Temperature Sensor Screw	1
Flow Valve Assembly w/ Gasket	1
Instructions	1

Jandy®, Lite®, LX® and HI-E2® are registered trademarks of Jandy Pool Products, Inc.
All other brand names, products names or trademarks belong to their respective holders.



Jandy Pool Products, Inc.
6000 Condor Drive, Moorpark, CA, USA 93021 • 707.776.8200 FAX 707.763.7785
1758 Corporate Circle, Petaluma, CA, USA 94954 • 707.776.8200 FAX 707.763.7785